



Filtra-Pak V

Fiber glass bag filters

Product	P5V	P6V	P8V	P9V
UNI EN 779 class	F 5	F 6	F 7	F 8
EUROVENT class	EU 5	EU 6	EU 7	EU 8
Em ASHRAE 52.1.1992	40-50 %	60-80 %	80/90 %	90/95 %
Suggested final pressure drop	350 Pa	350 Pa	350 Pa	350 Pa
Maximum pressure drop	450 Pa	450 Pa	450 Pa	450 Pa
Maximum operating temperature	80 °C	80 °C	80 °C	80 °C
Maximum relative humidity	100 %	100 %	100 %	100 %

The range of Filtra-Pak V bag filters covers a very wide performance range and meets the requirements of numerous civil and industrial facilities. These filters have medium and high efficiency rates, with limited pressure drops. This means fan energy consumption is limited. The filter media are made of glass fiber, self-extinguishing non-woven textile, progressively structured, coupled with a support sheet on the air outlet side that reinforces and protects the structure. The medium is applied on a galvanized steel sheet frame that can be opened to remove the filter at the end of its operative life. The Filtra-Pak V filter range is very strong, it has high dust holding capacities and assures a long operating life.

Applications Filtra-Pak V filters are widely used in civil and industrial conditioning and ventilation systems. They are also suitable for: electronic, photographic, chemical, precision mechanical industries, and in computer rooms and telephone plants. They are often used in air treatment plants, in independent roof top conditioners and in ventilation units in general, in independent roof top conditioners and in ventilation units in general. According to the models and their efficiency rates these filters can be installed as sole filtration unit in all those cases where there is not an excessive quantity of dust or as pre-filters upstream of high efficiency or activated carbon filters.

Installation For correct operating processes, air can pass through the filter in two different ways:

- horizontal air flow, the filter is perpendicular to the flow and the bags are arranged vertically
- top to bottom vertical air flow, the filter is perpendicular to the flow and the bags face downwards.

These filters are installed using special counter-frames (CT) that assure easy and rational removable and maintenance operations. The filters can be installed as single elements or in filtration walls.

For actual sizes please refer to our Pricelist

Type	Bags	Sizes (mm)			Nominal air flow rate Q.		Filtering surface m ²	Initial pressure drop Pa			
		A	B	C	m ³ /h	m ³ /sx10 ^{-3*}		P5V	P6V		
P5V - P6V	n°										
2 - 21 / 6	6	592	x	592	x	535	2000	555	4,0	45	50
3 - 21 / 5	5	490	x	592	x	535	1700	472	3,3	45	50
1 - 21 / 3	3	287	x	592	x	535	1000	278	2,0	45	50
2 - 21 / 8	8	592	x	592	x	535	2550	708	5,4	50	55
3 - 21 / 6	6	490	x	592	x	535	2250	625	4,7	50	55
1 - 21 / 4	4	287	x	592	x	535	1275	354	2,7	50	55
2 - 25 / 6	6	592	x	592	x	635	3000	833	4,8	55	60
3 - 25 / 5	5	490	x	592	x	635	2500	694	4,0	55	60
1 - 25 / 3	3	287	x	592	x	635	1500	417	2,4	55	60
2 - 25 / 8	8	592	x	592	x	635	3400	944	6,4	60	65
3 - 25 / 6	6	490	x	592	x	635	4250	833	5,7	60	65
1 - 25 / 4	4	287	x	592	x	635	3700	472	3,2	60	65
2 - 30 / 6	6	592	x	592	x	735	3000	833	5,5	45	50
3 - 30 / 5	5	490	x	592	x	735	2500	694	4,6	45	50
1 - 30 / 3	3	287	x	592	x	735	1500	417	2,8	45	50
2 - 30 / 8	8	592	x	592	x	735	3400	944	7,4	50	55
3 - 30 / 6	6	490	x	592	x	735	3000	833	6,4	50	55
1 - 30 / 4	4	287	x	592	x	735	1700	472	3,7	50	55
2 - 36 / 6	6	592	x	592	x	915	3400	944	7,0	55	60
3 - 36 / 5	5	490	x	592	x	915	2850	792	5,8	55	60
1 - 36 / 3	3	287	x	592	x	915	1700	472	3,5	55	60
2 - 36 / 8	8	592	x	592	x	915	4250	1180	9,3	60	65
3 - 36 / 6	6	490	x	592	x	915	3700	1028	8,1	60	65
1 - 36 / 4	4	287	x	592	x	915	2125	590	4,6	60	65

*1 m³/s x 10⁻³ = 1 l/s



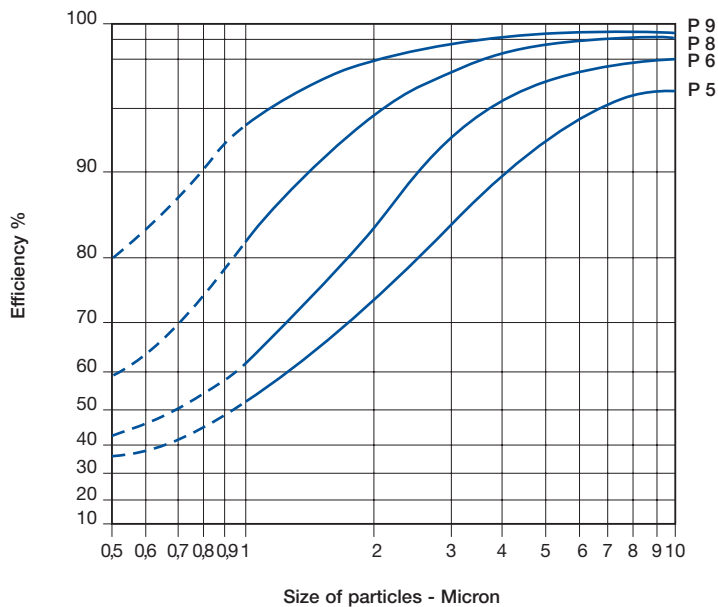
Filtra-Pak V

P8V P9V fiber glass bag filters

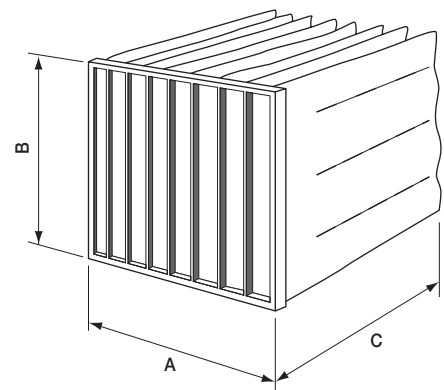
Type	Bags	Sizes (mm)			Nominal air flow rate Q.		Filtering surface m ²	Initial pressure drop Pa			
		A	B	C	m ³ /h	m ³ /sx10 ^{-3*}		P8V	P9V		
2 - 21 / 8	8	590	x	592	x	535	2550	708	5,4	90	110
3 - 21 / 6	6	490	x	592	x	535	2000	555	4,0	90	110
1 - 21 / 4	4	287	x	592	x	535	1275	354	2,7	90	110
2 - 21 / 10	10	590	x	592	x	535	3400	944	6,7	100	130
3 - 21 / 8	8	490	x	592	x	535	2550	708	5,4	100	130
1 - 21 / 5	5	287	x	592	x	535	1700	472	3,3	100	130
2 - 25 / 8	8	590	x	592	x	635	3400	944	6,4	110	140
3 - 25 / 6	6	490	x	592	x	635	2500	708	4,8	110	140
1 - 25 / 4	4	287	x	592	x	635	1700	472	3,2	110	140
2 - 25 / 10	10	590	x	592	x	635	4250	1180	8,0	130	170
3 - 25 / 8	8	490	x	592	x	635	3400	944	6,4	130	170
1 - 25 / 5	5	287	x	592	x	635	2125	590	4,0	130	170
2 - 30 / 8	8	590	x	592	x	735	3400	944	7,4	100	130
3 - 30 / 6	6	490	x	592	x	735	2550	708	5,5	100	130
1 - 30 / 4	4	287	x	592	x	735	1700	472	3,7	100	130
2 - 30 / 10	10	590	x	592	x	735	4250	1180	9,3	110	150
3 - 30 / 8	8	490	x	592	x	735	3400	944	7,4	110	150
1 - 30 / 5	5	287	x	592	x	735	2125	590	4,6	110	150
2 - 36 / 8	8	590	x	592	x	915	4250	1180	9,2	110	150
3 - 36 / 6	6	490	x	592	x	915	3400	944	6,9	110	150
1 - 36 / 4	4	287	x	592	x	915	2125	590	4,6	110	150
2 - 36 / 10	10	590	x	592	x	915	5100	1420	11,5	140	180
3 - 36 / 8	8	490	x	592	x	915	4250	1180	9,3	140	180
1 - 36 / 5	5	287	x	592	x	915	2550	708	5,8	140	180

*1 m³/s x 10⁻³ = 1 l/s

Typical curves



Size



How to order

