

These instructions contain operating information and should be left with the unit.

Vapac®

LE
Electrode Boiler Units

Part List
Edition 3.0

VapaNet

Installation in countries covered by EC Directives:

This product will meet the requirements of the Low Voltage Safety Directive 73 / 23 EEC and the EMC Directive 89 / 336 EEC when installed in accordance with the instructions contained in this manual. Failure to comply with these instructions may invalidate the manufacturer's warranty or any certificate/declaration of conformance requested to be supplied with the unit.

Figure 1

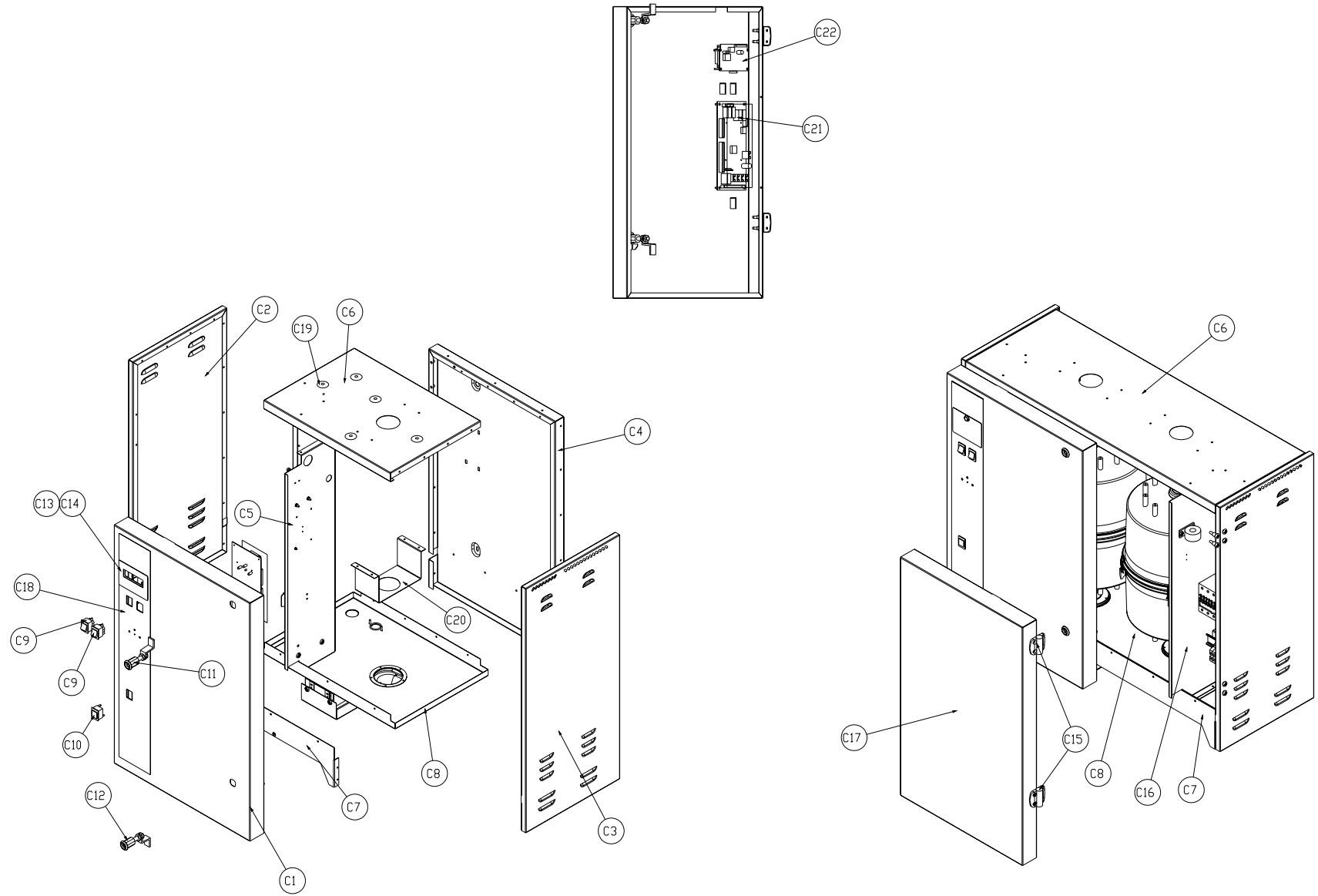


Table 1

Reference	Description	Unit							
		Sz 1			Sz 2			Sz 4	
		LE05	LE09	LE18	LE30	LE45	LE55	LE60	LE90
C1	Vapac Cabinet L/H Door	BZB037-01			BZB037-02			BZB037-02	
C2	Vapac Cabinet LH Panel	BZB038-01			BZB038-02			BZB038-02	
C3	Vapac Cabinet RH Panel	BZB039-01			BZB039-02			BZB039-04	
C4	Vapac Cabinet Back Panel	BZB040-01			BZB040-02			BZB040-04	
C5	Vapac Cabinet LH Elec Panel	BZB042-01			BZB042-04			BZB042-04	
C6	Vapac Cabinet Top Panel	BZB043-01			BZB043-02			BZB043-04	
C7	Vapac Cabinet Front Panel	BZB051-01			BZB051-02			BZB051-04	
C8	Vapac Cabinet Drip Tray	BZA977-01-CC			BZA977-02-CC			BZA977-04-CC	
C9	Switch DP On-Off-Momentary (on)	1190041			1190041			1190041	
C10	Lamp Neon Red	1110401			1110401			1110401	
C11	Latch	4030035			4030035			4030035	
C12	Latch	4030034			4030034			4030034	
C13 *	Label Keypad	M300120			M300120			M300120	
C14	Label Blank	M300128			M300128			M300128	
C15	Hinge	4020181			4020181			4020181	
C16	Vapac Cabinet RH Elec Panel	N/A			N/A			BZB061-02	
C17	Vapac Cabinet RH Door	N/A			N/A			BZB060-02	
C18	Label Fascia	M300122			M300122			M300122	
C19	Cap	8010351			8010351			N/A	
C20	Vapac Cabinet Hose Support Bracket	N/A			BZB065			BZB065	
C21	Vapac Control PCB	1150630-3A			1150630-3A			1150630-3A	
C22 *	Vapac Display PCB #	1150631-3-M1			1150631-3-M1			1150631-3-M1	
C23 **	Switch Push Min. Sealed	1190020			1190020			1190020	

* Only fitted if Display Fitted

** Not fitted if display fitted.

#	Standard Language Set	GB	CZ	NL	F	D	GR	I	PL	P	E
	Alternative Language Set (1150631-3-M2)	GB	DK	F	D	IS	N	FIN	S		

Figure 2

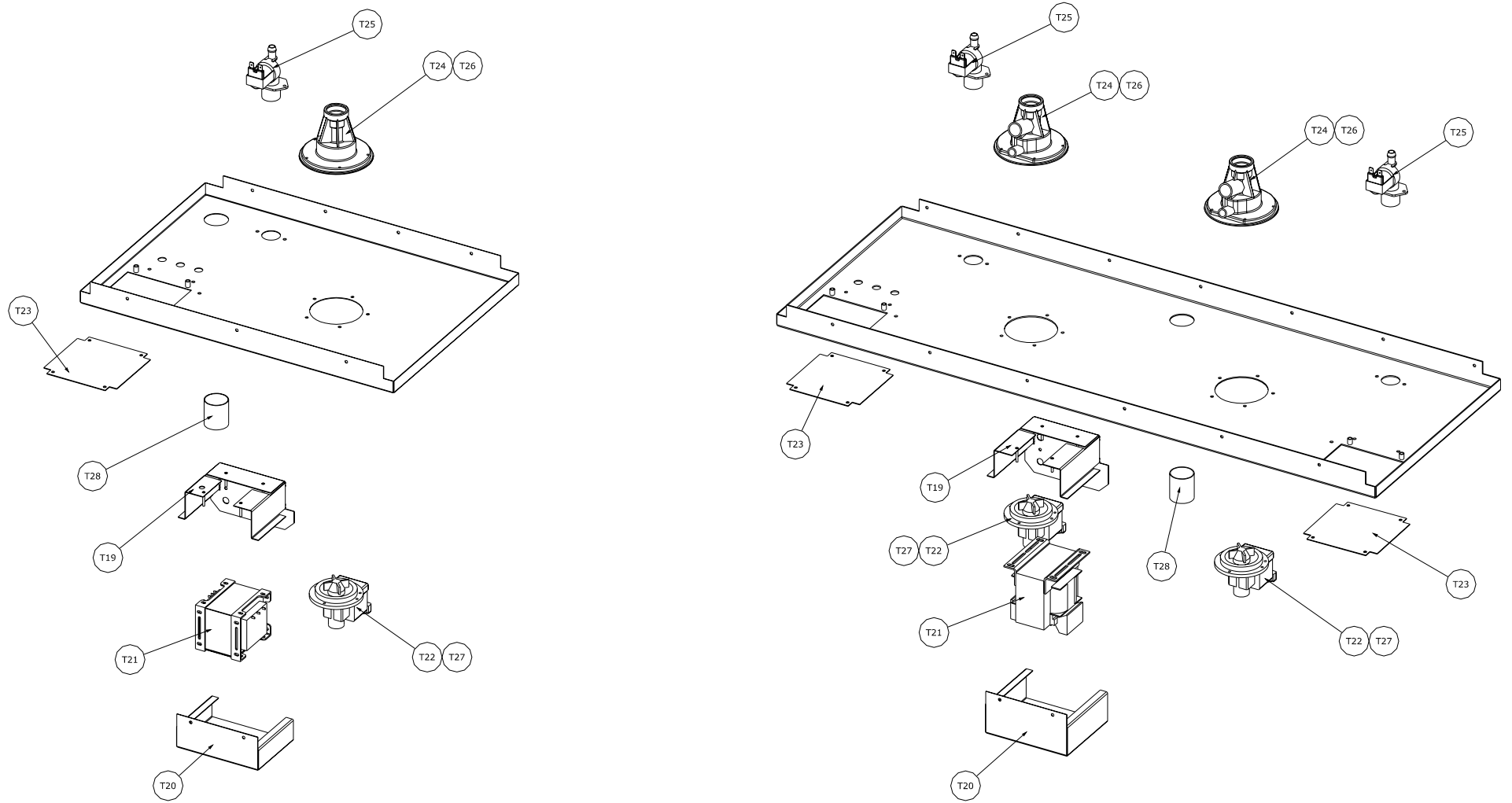


Table 2

Reference	Description	Unit							
		Sz 1			Sz 2			Sz 4	
		LE05	LE09	LE18	LE30	LE45	LE55	LE60	LE90
T19	Vapac Transformer Cover Base	BZB003-1			BZB003-1			BZB003-2	
T20	Vapac Transformer Cover	BZB062-01			BZB062-01			BZB062-02	
T21	Transformer	1240122			1240122			1240119	
T22	Pump *	2600070			2600070			2600070	
T23	Gland Plate	BZB064			BZB064			BZB064	
T24	Feed/Drain Manifold	3910195			3910195			3910195	
T25	Valve Assembly	2620320			2620325			2620325	
T26	Gasket	2160120			2160120			2160120	
T27	Pump Cover	3910112			3910112			3910112	
T28	Ø 35 x 50 SS Pipe	5080444			5080444			5080444	

* Standard 50 Hz Pump
60 Hz Pump = 2600071

Figure 3

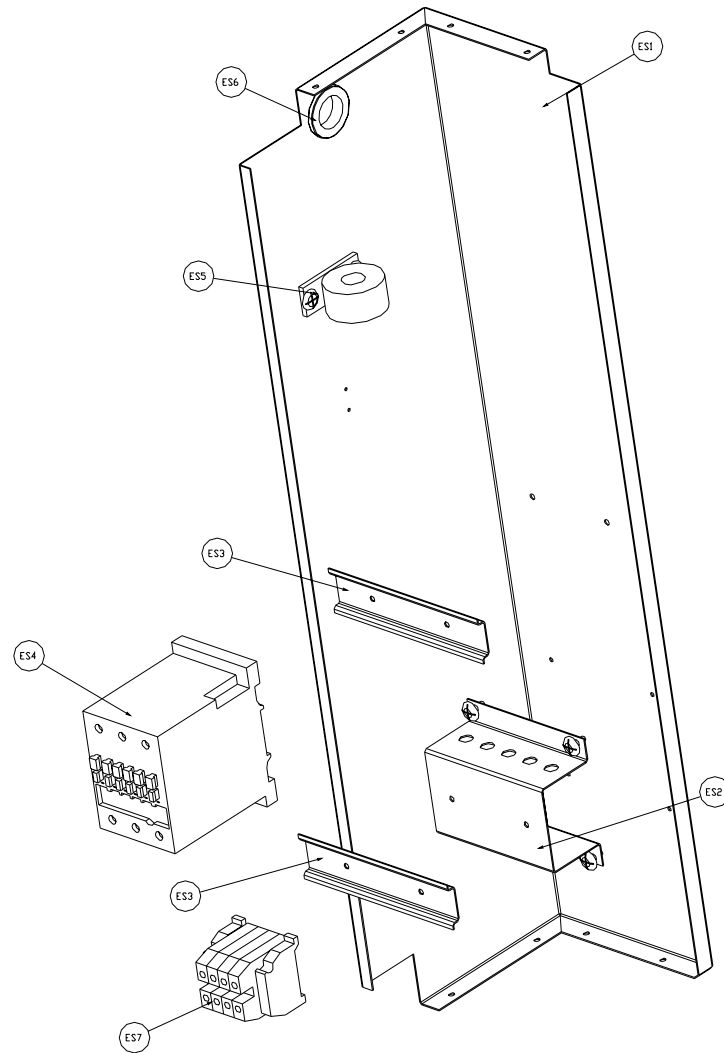


Table 3

Reference	Description	Unit							
		Sz 1			Sz 2			Sz 4	
		LE05	LE09	LE18	LE30	LE45	LE55	LE60	LE90
ES1	Vapac LE Slave Elec. Panel	N/A			N/A			BZB061-02	
ES2	Vapac Cabinet Terminal & Filter Bracket								
ES3	Terminal Rail							M570135	
ES4	Contactactor							1060264	1060266
ES5	Toroid							1240149	
ES6	Grommet Rubber Open							8010090	
ES7	Terminal Earth							1200413	
	Terminal Power	1200423							

Figure 4

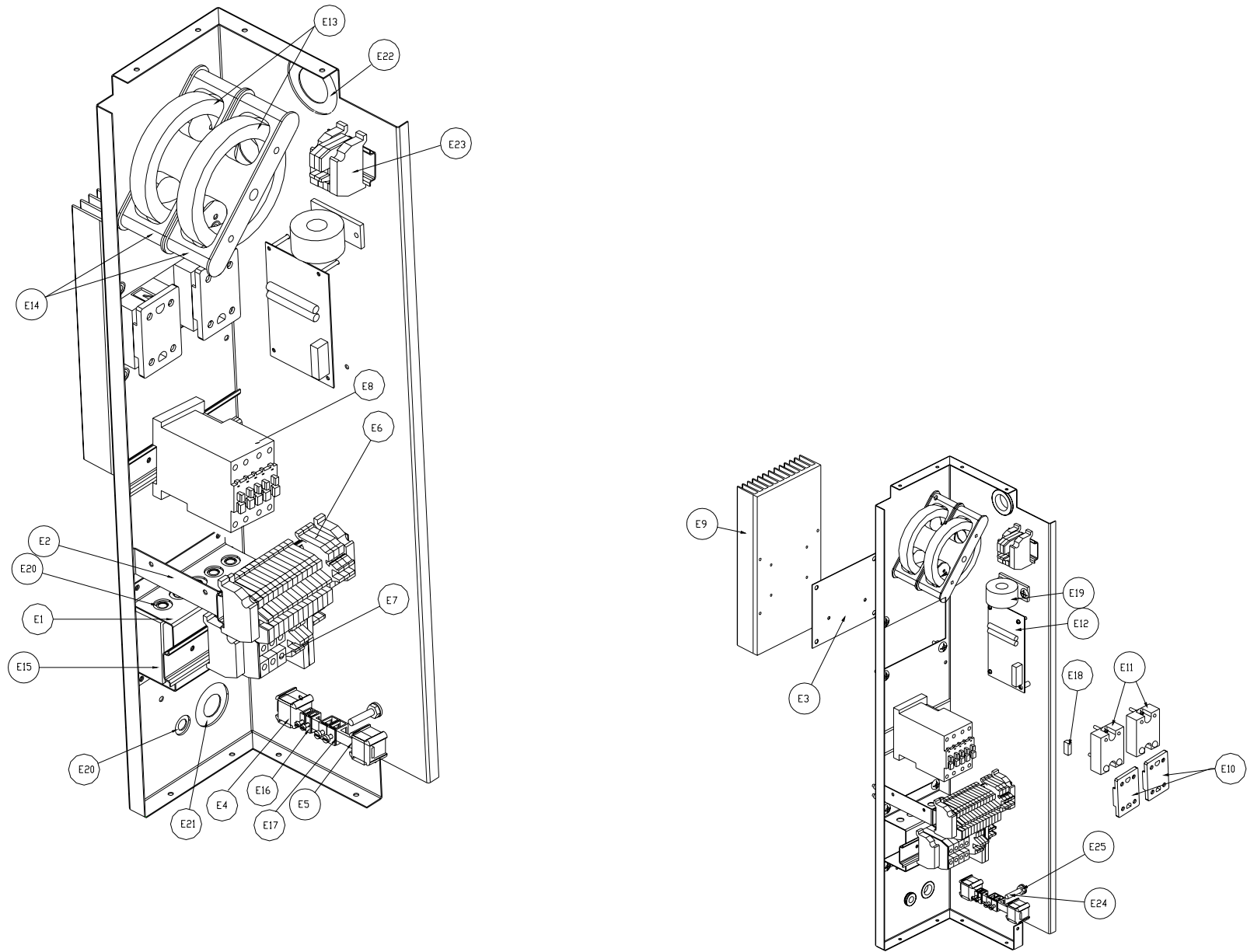


Table 4

Reference	Description	Unit							
		Sz 1			Sz 2			Sz 4	
		LE05	LE09	LE18	LE30	LE30-L/LE45	LE55	LE60	LE60-L/LE90
E1	Vapac Cabinet Terminal & Filter Bracket	BZB067	BZB067	BZB067	BZB067	BZB067	BZB067	BZB067	BZB067
E2	Vapac Cabinet Terminal Bracket	BZB063	BZB063	BZB063	BZB063	BZB063	BZB063	BZB063	BZB063
E3 *	Vapac Cabinet Blanking Plate *	BZB068	BZB068	BZB068	BZB068	BZB068	BZB068	BZB068	BZB068
E4	Support Bracket	1200224	1200224	1200224	1200224	1200224	1200224	1200224	1200224
E5	Earth Rail	BZA963-3	BZA963-3	BZA963-3	BZA963-3	BZA963-3	BZA963-3	BZA963-3	BZA963-3
E6	Terminal Assembly Control	M570131	M570131	M570131	M570131	M570131	M570131	M570131	M570131
E7	Terminal Assembly Mains	M570132	M570132	M570132	M570132	M570132	M570132	M570132	M570132
E7a	Power Terminals	1200421	1200422	1200421	1200423	1200423	1200423	1200423	1200423
E7b	Terminal End Stop	1200450	1200450	1200450	1200450	1200450	1200450	1200450	1200450
E8	Contacto	1060263	1060264	1060264	1060264	1060266	1060266	1060264	1060266
E9 **	Heatsink	1010073-D	1010073-D	1010073-D	1010073-D	1010073-D	1010073-D	1010073-D	1010073-D
E10 **	Cover Safety SSR	1070400	1070400	1070400	1070400	1070400	1070400	1070400	1070400
E11 **	Relay SSR	1170148	1170148	1170148	1170148	1170148	1170148	1170148	1170148
E12	Vapac Voltage/Current Input PCB	1150633	1150633	1150633	1150633	1150633	1150633	1150633	1150633
E13 **	EMC Inductor	N/A	N/A	N/A	M560980	M560981	M560981	M560980	M560981
E14 **	Bracket (Set) EMC Inductor	N/A	N/A	N/A	3910197	3910197	3910197	3910197	3910197
E15 **	EMC Filter	M560998	M560998	M560999	M560999	M560999	M560999	M560999	M560999
E16	Clamp Screw ZB4	1200221	1200221	1200221	1200221	1200221	1200221	1200221	1200221
E17	Clamp Screw ZB16	1200222	1200222	1200222	1200222	1200222	1200222	1200222	1200222
E18 **	Capacitor	N/A	N/A	N/A	M540001	M540001	M540001	M540001	M540001
E19	Toroid	1240149	1240149	1240149	1240149	1240149	1240149	1240149	1240149
E20	Grommet Rubber Open 6.3 Cable 9.5 Panel	8010082	8010082	8010082	8010082	8010082	8010082	8010082	8010082
E21	Grommet Rubber Open 12.5 Cable 20 Panel	8010145	8010145	8010145	8010145	8010145	8010145	8010145	8010145
E22	Grommet Rubber Open 19 Cable 25 Panel	8010147	8010147	8010147	8010147	8010147	8010147	8010147	8010147
E23	Terminals For RDU	M570136	M570136	M570136	M570136	M570136	M570136	N/A	N/A
E24	Brass Bolt	4100367	4100367	4100367	4100367	4100367	4100367	4100367	4100367
E25	Brass Nuts	4110026	4110026	4110026	4110026	4110026	4110026	4110026	4110026

* Units without SSRs only

** Units with SSRs only

Figure 5

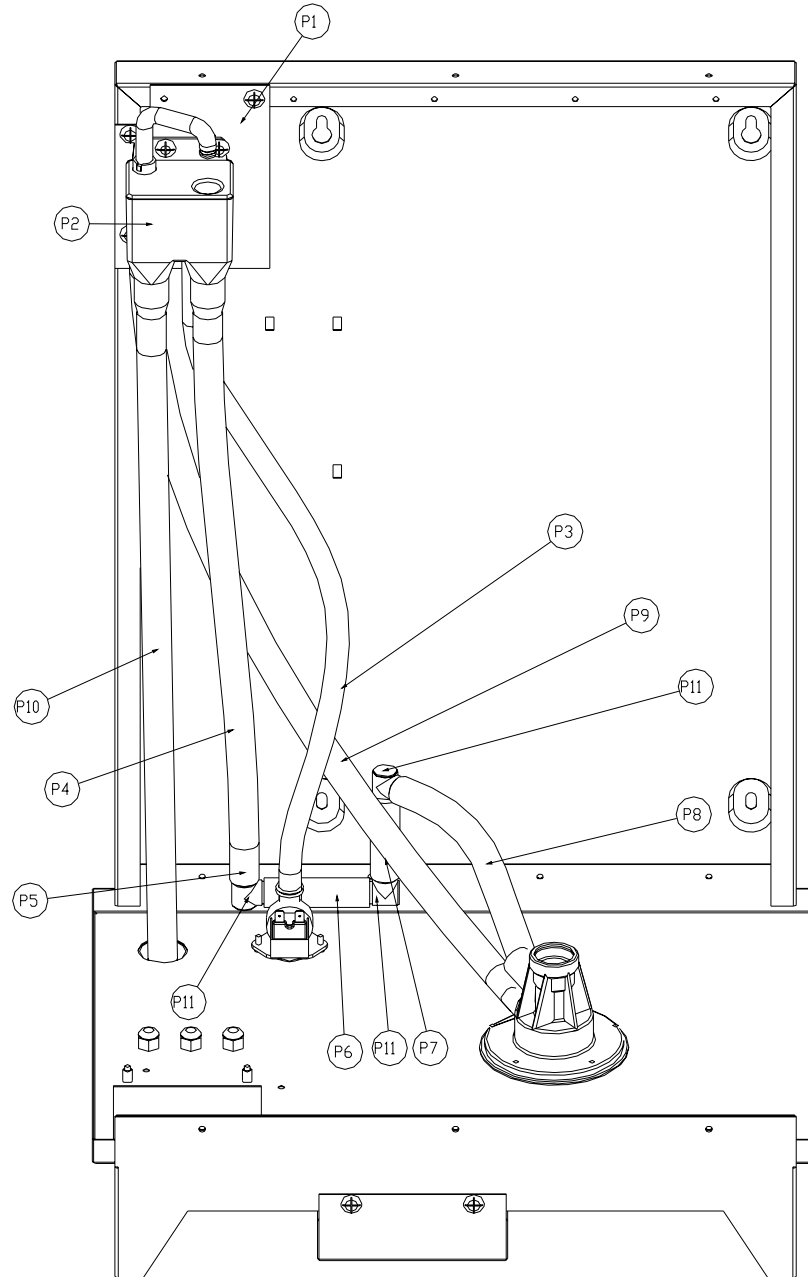


Table 5

Reference	Description	Unit					
		Sz 1			Sz 2		
		LE05	LE09	LE18	LE30	LE45	LE55
P1	Vapac Cabinet Tundish Bracket	BZB066-01			BZB066		
P2	Tundish Fill Cup	3910168			3910168		
P3	Tube Silicone 9 mm I/D	2560029			2560029		
P4	Tube Silicone 22 mm I/D	2560030			2560030		
P5	Tube Silicone 16 mm I/D	2560028			2560028		
P6	Tube Silicone 16 mm I/D	2560028			2560028		
P7	Tube Silicone 16 mm I/D	2560028			2560028		
P8	Tube Silicone 16 mm I/D	2560028			2560028		
P9	Tube Silicone 13 mm I/D	2560026			2560026		
P10	Tube Silicone 22 mm I/D	2560030			2560030		
P11	Elbow Barbed WS16	2560090			2560090		

Figure 6

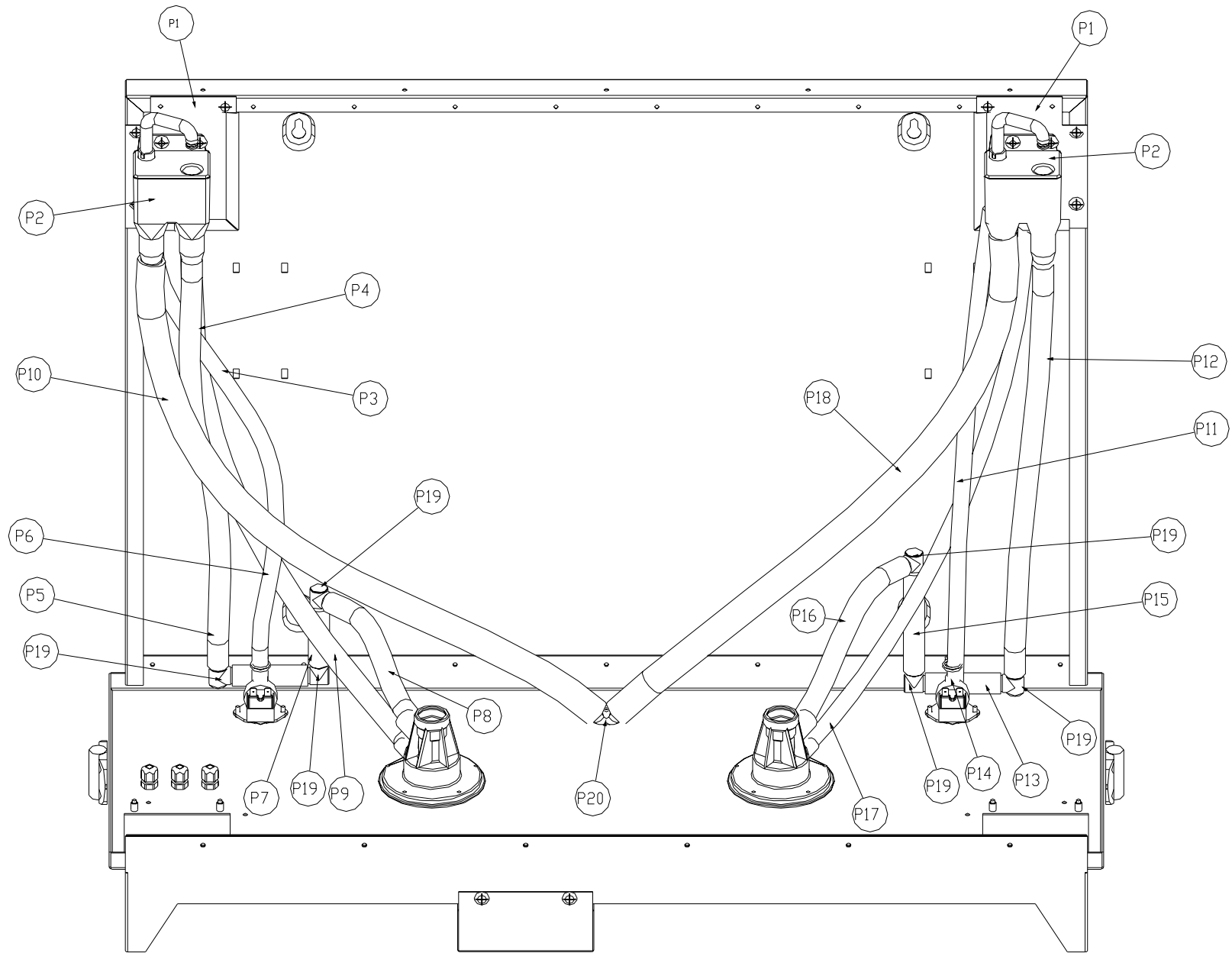


Table 6

Reference	Description	Unit	
		Sz 4	
		LE60	LE90
P1	Vapac Cabinet Tundish Bracket	BZB066	
P2	Tundish Fill Cup	3910168	
P3	Tube Silicone 9 mm I/D	2560029	
P4	Tube Silicone 22 mm I/D	2560030	
P5	Tube Silicone 16 mm I/D	2560028	
P6	Tube Silicone 16 mm I/D	2560028	
P7	Tube Silicone 16 mm I/D	2560028	
P8	Tube Silicone 16 mm I/D	2560028	
P9	Tube Silicone 13 mm I/D	2560026	
P10	Tube Silicone 22 mm I/D	2560030	
P11	Tube Silicone 9 mm I/D	2560029	
P12	Tube Silicone 22 mm I/D	2560029	
P13	Tube Silicone 16 mm I/D	2560029	
P14	Tube Silicone 16 mm I/D	2560029	
P15	Tube Silicone 16 mm I/D	2560029	
P16	Tube Silicone 16 mm I/D	2560029	
P17	Tube Silicone 13 mm I/D	2560029	
P18	Tube Silicone 22 mm I/D	2560029	
P19	Elbow Barbed WS16	2560090	
P20	Y Barbed Nylon 25 mm	2560102	

Part No: 0411066

Issue: 3.0

Dated: July 2006